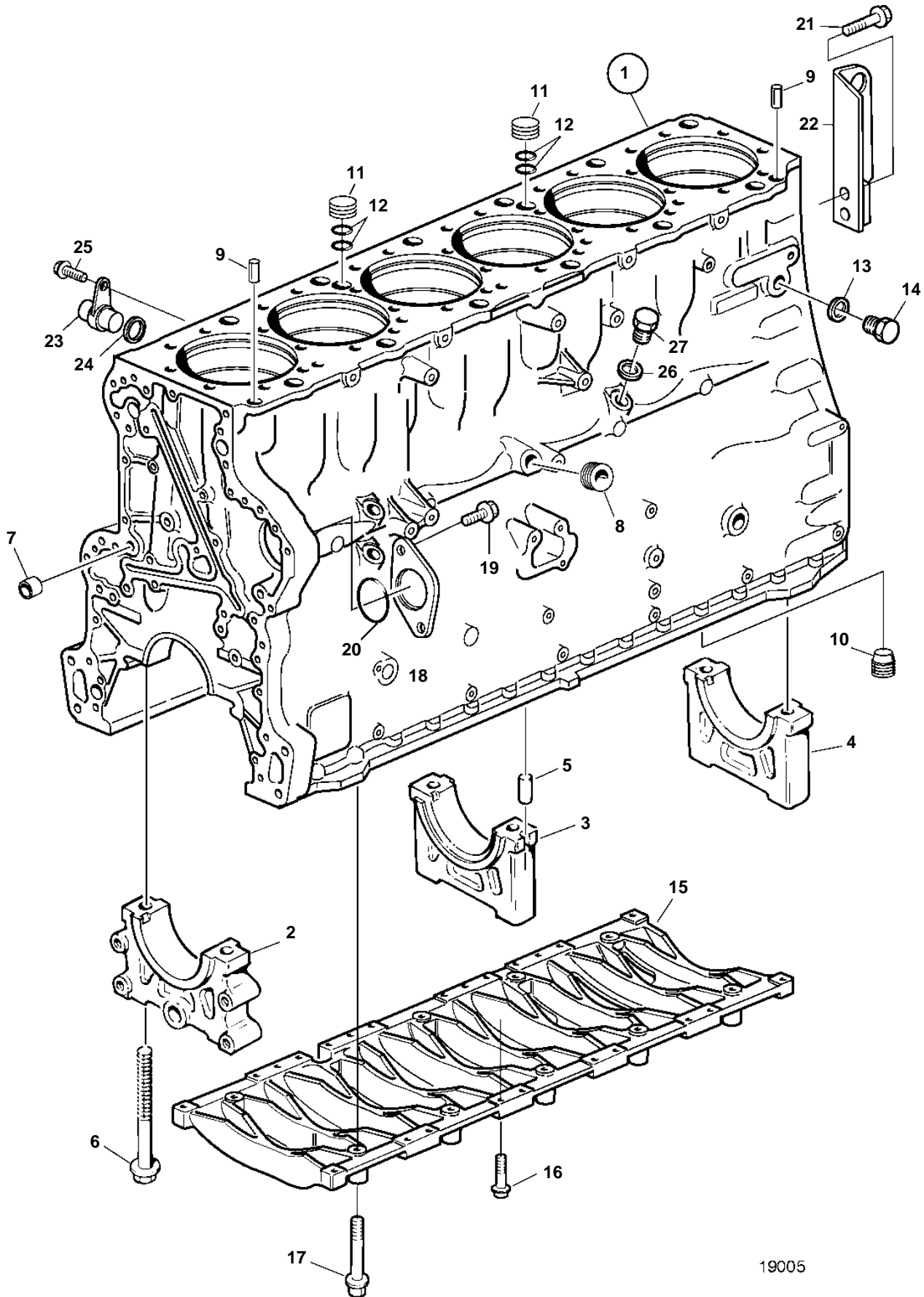


D12D-A MH, D12D-B MH, D12D-C MH, D12D-E MH, D12D-G MH



19005

D12D-A MH, D12D-B MH, D12D-C MH, D12D-E MH, D12D-G MH

REF	PART NO.	QTY	DESCRIPTION	NOTES
1	8170120	1	Cylinder block	Replaced by 20451181
	20451181	1	Cylinder block	
2		1	· Main bearing cap, front	
3		5	· Main bearing cap	
4		1	· Main bearing cap, rear	
5	422426	1	· Pin	
6	1547040	14	· Screw	
7	981735	3	Cap plug	
8	981245	1	Plug	FOR 8170120
9	8170389	2	Guide sleeve	
10		1	Plug	
11	3165099	2	Plug	
12	976038	4	· O-ring	
13	18677	2	Gasket	
14	960634	2	Plug	
15	3183414	1	Frame	L=658mm
16	973523	20	Hex. socket screw	
17	965187	6	Flange screw	
18	3828400	1	Cardboard tube	
19	946441	2	Flange screw	
20	967344	1	O-ring	
21	975121	2	Flange screw	
22		1	Lifting eye	
23	1549140	1	Plug	
24	1547255	1	Sealing ring	
25	946173	1	Flange screw	
26	11996	3	Gasket	
27	960631	3	Plug	